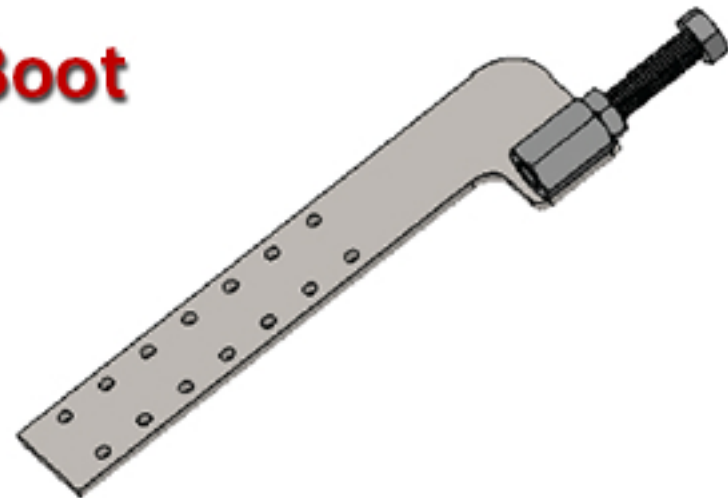


Adjustable Steel Strap for 8 Inch E-Z Boot

Requires 2 Assemblies per
E-Z Boot.

Weld Coupling Nut as Shown
is on both sides of boot.



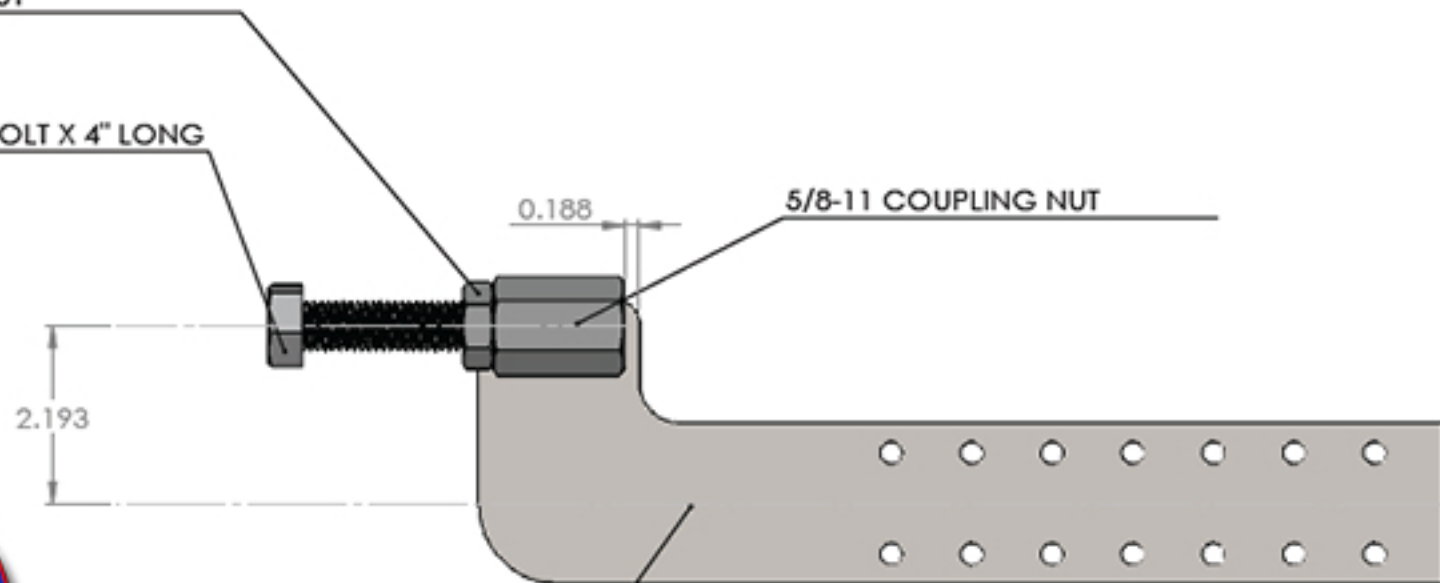
5/8-11 JAM NUT

5/8-11 FULL THREAD BOLT X 4" LONG

0.188

5/8-11 COUPLING NUT

2.193



WELD

WELD



ADJUSTABLE STEEL STRAP
FOR 8 INCH EZ-BOOT

